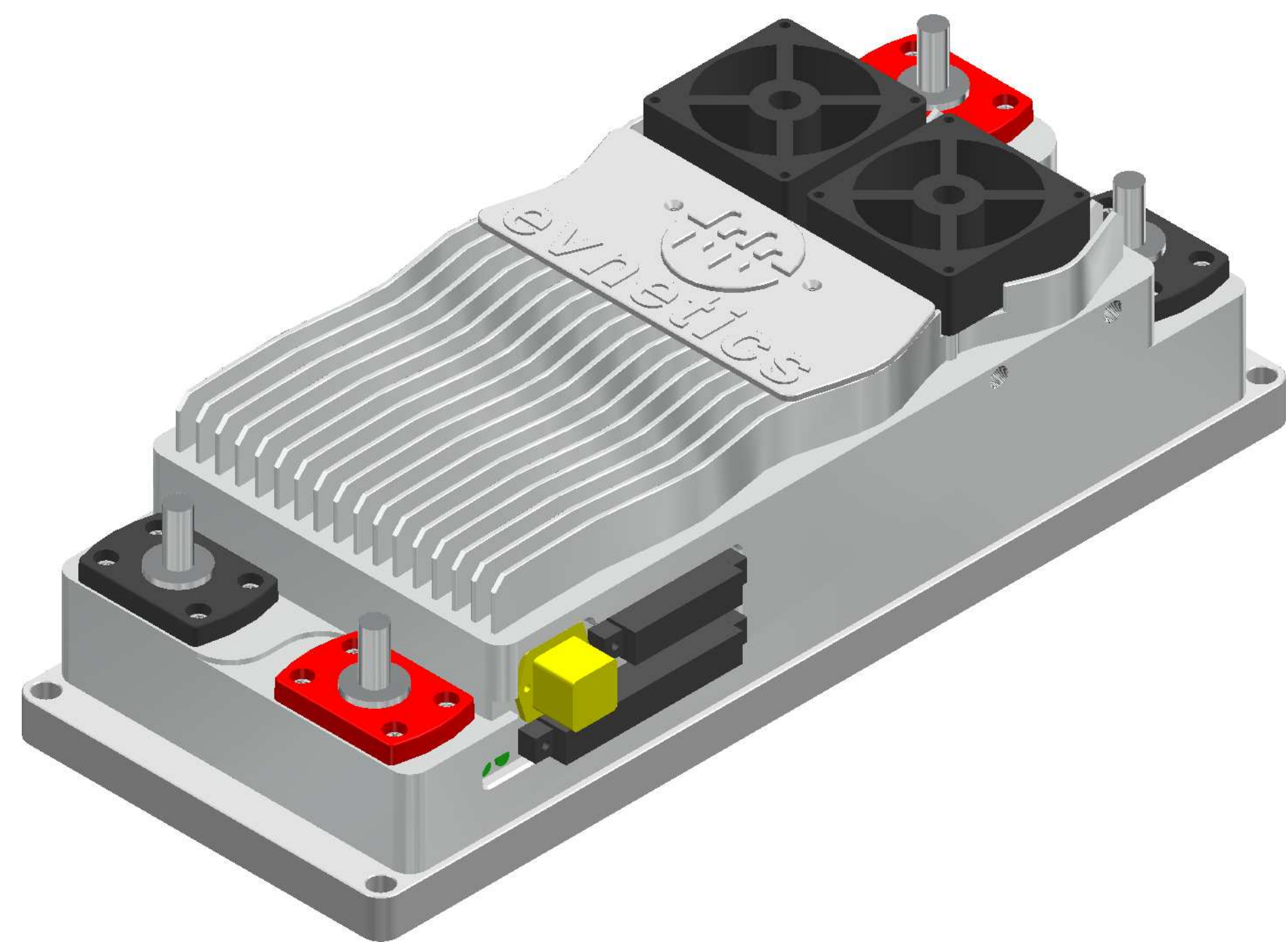
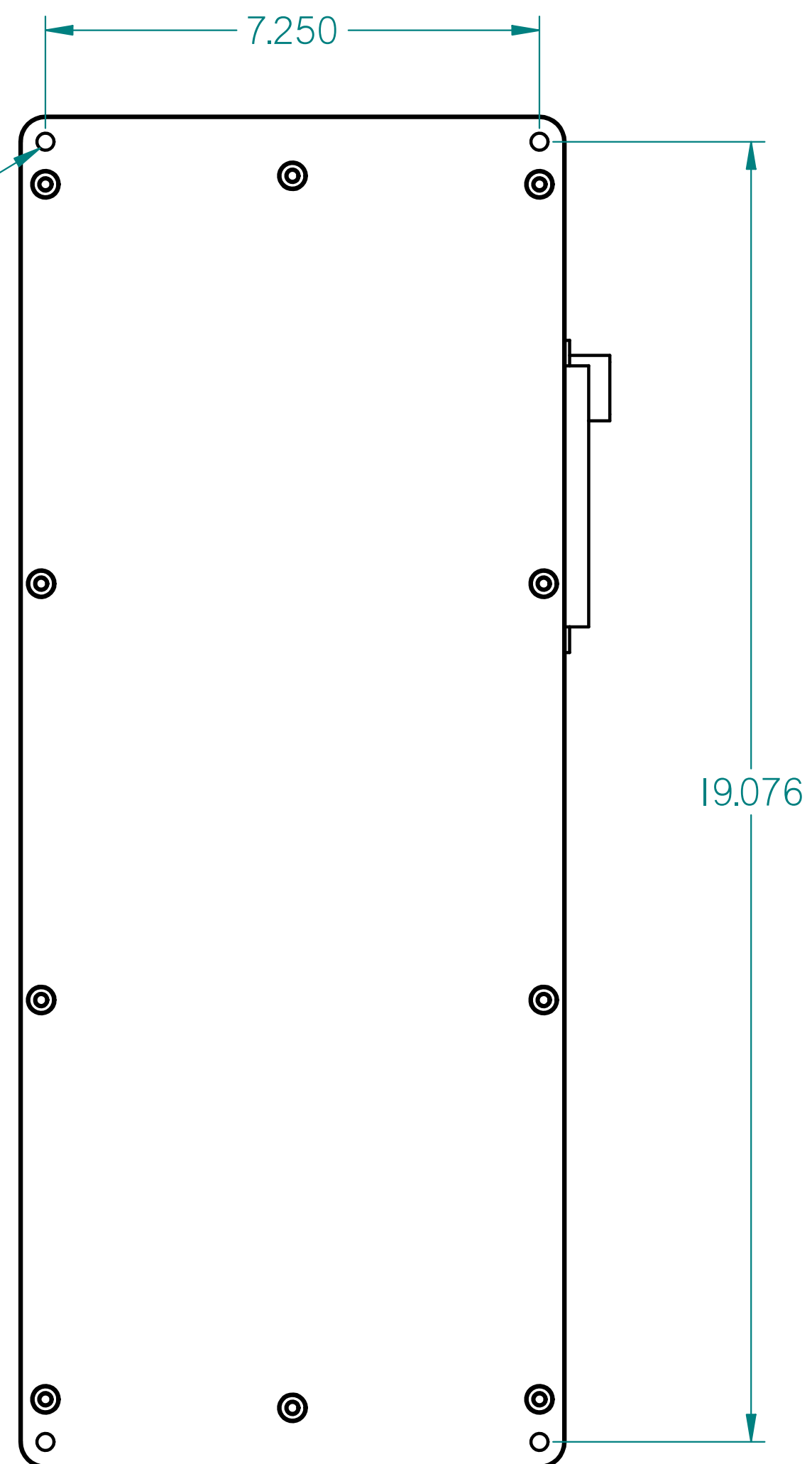


ALL INFORMATION, DESIGNS AND CONCEPTUAL IDEAS CONTAINED IN THESE DOCUMENTS ARE PROPERTY OF EVNETICS, LLC. DUPLICATING, REPRODUCING, COPYING, OR DISTRIBUTING THE FULL OR PARTIAL CONTENTS OF THE DOCUMENTS WITHOUT THE CONSENT, AWARENESS, OR APPROVAL OF EVNETICS, LLC IS UNLAWFUL. IF COPIES ARE NEEDED EVNETICS, LLC WILL PROVIDE THEM UPON REQUEST.

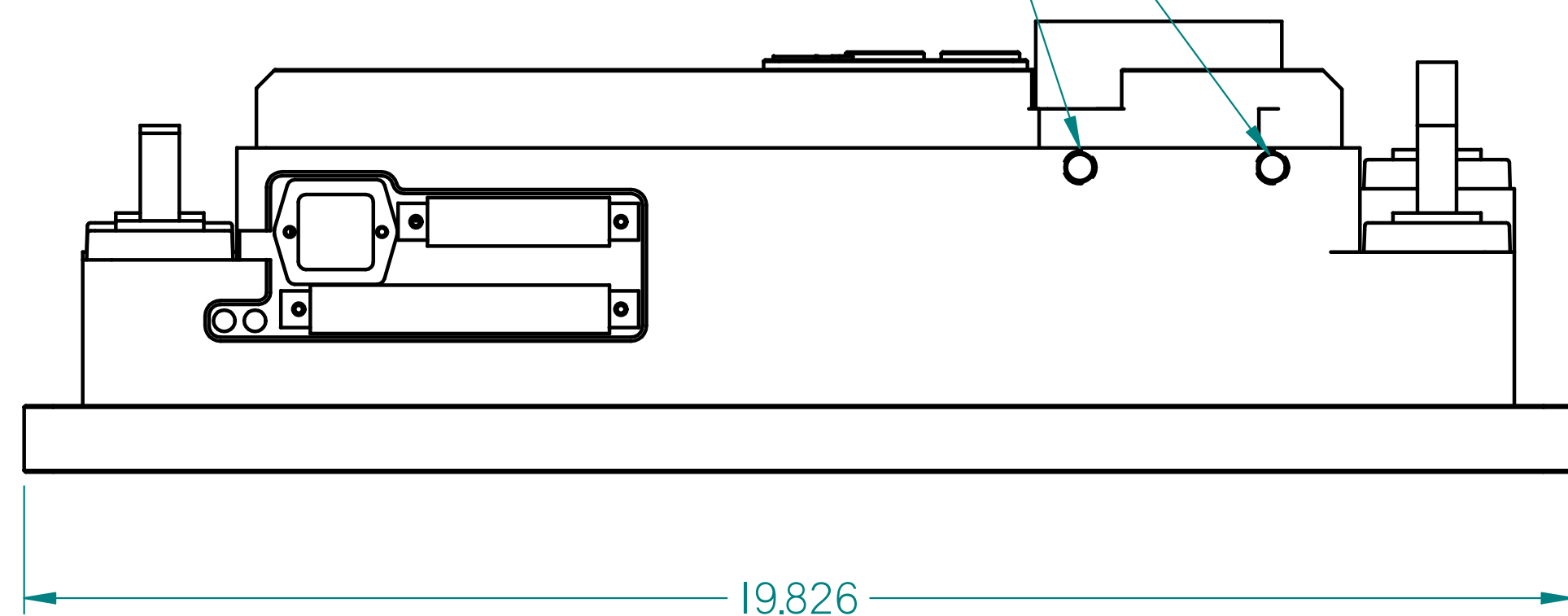
REVISION HISTORY			
REV	DESCRIPTION	DATE	APPROVED



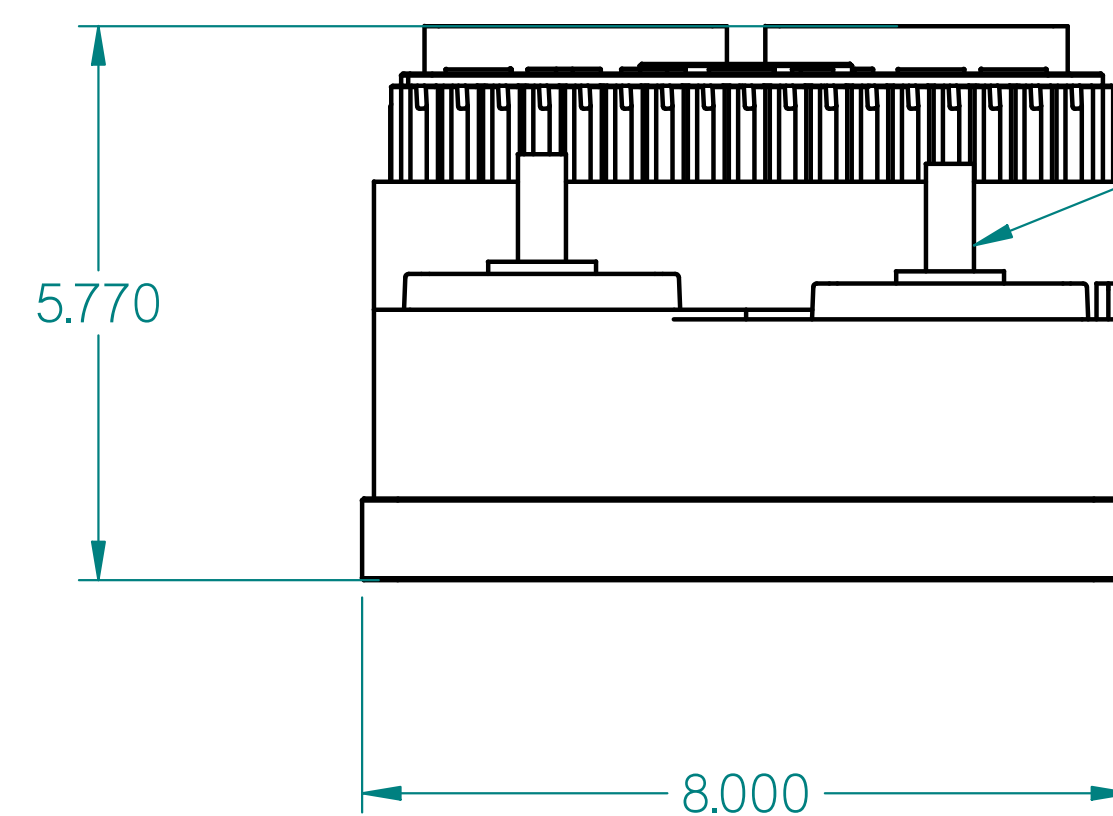
0.25" MOUNTING HOLES x 4



1/8" NPT FEMALE COOLANT PORTS



1/2"-13 THREADED STUD x 4



SHEET DESCRIPTION

INSTALLATION DRAWING

DRAWN	NAME	DATE
	CR	8/26/09
CHECKED		

evnetics, LLC
 evnetics.com

DRAWING NAME: **SOLITON 1**

SCALE: AS SHOWN

SHEET 1 OF 1